

RedPort™

Aurora Iridium WiFi Terminal

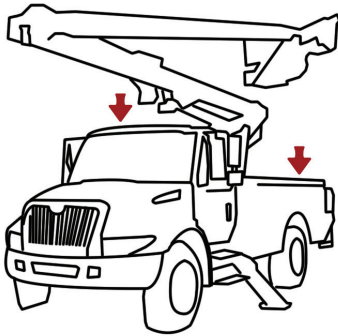
Installation and Setup Guide

Table of Contents

1. Physical Setup	3
2. Inserting SIM Card	5
3. Powering the Aurora.	7
4. Activating SIM Card	9
5. Voice and PBX	9
6. Voice with Analog Phone	11
7. GPS Tracking	12
8. XGate Satellite Email Service	12
9. Configuring XGate to Work With Aurora	13
8. Troubleshooting	14

Physical Setup

1. Install Aurora with any standard 1” threaded antenna mount. Aurora does not come with a standard antenna mount due to the great variation in individual mounting options. Standard antenna mounts can easily be found at your local marine supply store.
2. Run Ethernet cable to your preferred power location.



Vehicle Mounting

When mounting Aurora on a vehicle, make sure there is no large obstruction blocking its view of the sky.

Run Ethernet into the cabin of the vehicle and plug it into a power source.

Recommended Accessory: 12V “cigarette plug” adapter (sold separately).

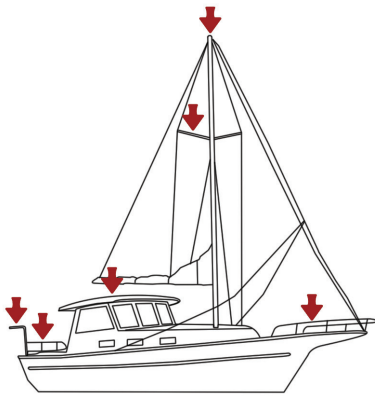
Building Mounting

When mounting Aurora on a building, make sure that there is no obstruction blocking its view of the sky.

Run Ethernet cable from the dome to your preferred powering location. Make sure you order enough Ethernet cable to reach. (Aurora comes with 40ft, but additional lengths can be ordered).

Recommended Accessory: WiFi hotspot for WiFi extension indoors (sold separately).





Ship Mounting

Aurora can be installed in many different locations on board. Make sure that Aurora has a clear view of the sky and there is no large obstruction blocking its view of the sky.

The dome must not be on the same plane as the radar equipment. It is best to keep it away from radar and other RF interference for best performance.

Insert Or Switch Out SIM Card in Aurora

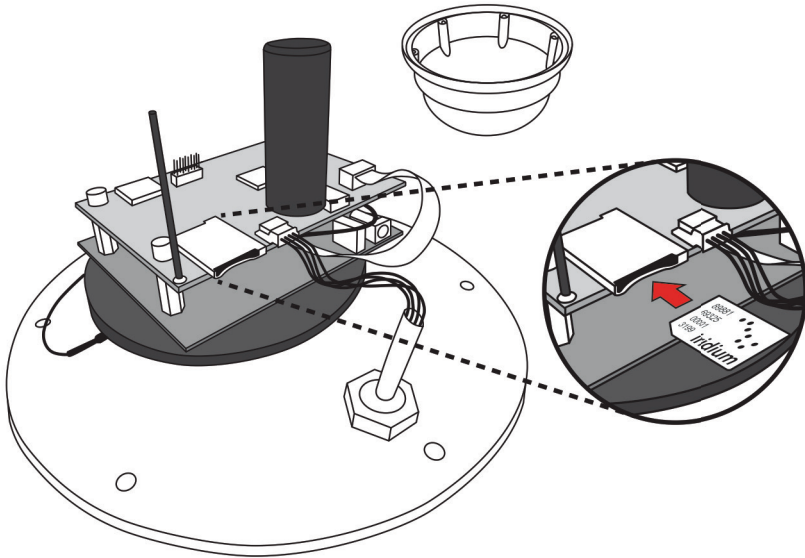
The SIM card in the Aurora is protected against weather, moisture and other severe conditions. For this reason care needs to be taken when inserting or replacing a SIM card.

Note: Many Aurora units ship with the SIM card already inserted. Please check with your satellite dealer before proceeding to open the Aurora Dome unnecessarily.

The SIM card slot in the Aurora is located inside the Aurora dome. In order to access the SIM slot unscrew the 6 screws located on the bottom of the Aurora's dome.

Carefully remove the dome and insert the SIM into the slot as shown on the following page.

Inserting SIM Card into Aurora



Replacing the Dome

In order to maintain the watertight nature of the Aurora dome and protect the electronics inside, do the following:

- Replace dome over Aurora base and line up screwholes
- Apply a dab of silicon sealant inside a screwhole.
- Insert and tighten screw
- Repeat for remaining screws

Failing to put silicon sealant inside the screwholes whenever the Aurora dome is removed from the base unit can result in moisture entering the electronics. This can cause functionality issues or simply make the unit cease to function.

Standard Aurora Power Setup with Optional WiFi Hotspot

Your RedPort Aurora comes standard with a 1amp, 12v AC power supply.



The Optional WiFi Hotspot is a simple RedPort Optimizer reprogrammed to repeat the Aurora's wifi signal.



Powering the Aurora



The Aurora has a pigtail ethernet cable with the power connector and ethernet plug. Connect the power supply to the barrel connector on the Aurora. The ethernet option is there if you wish to hardwire the Aurora to a computer.

***Please note that the Aurora is NOT reverse polarity protected!
If you hardwire the power supply, double-check the wiring so
you don't burn up the unit.**

Activating SIM Card

If you purchased airtime or a SIM card for your Aurora unit, your satellite provider will most likely have already inserted the SIM card into the unit for you. Most providers ship SIM cards unactivated, however, so you will have to request activation of your SIM card in order to begin testing and using your system.

Aurora can use both prepaid and postpaid SIM cards.

Once you are ready to begin using your unit, call or email your satellite dealer to request airtime activation.

Generally, activation takes a few hours, but it can take up to 48 hours to cycle through the Iridium system. Once your airtime is activated your validity period for prepaid airtime will start. If you have postpaid airtime, your contract start date will begin with the activation date.

If you did not purchase airtime or a SIM card at the time you purchased Aurora, you will need to choose airtime and receive a SIM card. Please follow instructions under “Insert or Switch Out SIM Card” to insert the SIM card into the Aurora unit yourself.

Voice and PBX Software

Aurora can run voice calls made on your smartphone through the Iridium network as regular Iridium satellite phone calls. In order to enable this feature you must download the free XGate Phone App.

Please visit <http://www.redportglobal.com/support/xgate-downloads/> to be directed to the appropriate App Store. You can also search “XGate Phone” in either the Apple App Store or Google Play Store to find the app.

Note: While it is recommended to use the XGate Phone app, any SIP VoIP soft-phone client software can be used with Aurora.

All settings are automatically put in for you. It is not necessary to make any changes. The default Settings are:

username: 201

password: 1234

proxy: 192.168.10.1

To make a call the Aurora must be powered ON and you must be connected to wxa wireless network.

XGate Satellite Phone App will allow you to make phone calls through the Aurora using your smartphone. You will be able to access all your contacts just as you would normally be able to do.

Aurora comes pre-programmed with four SIP voice extensions. By default, these extensions are 201 through 204.

The SIP password for all 4 extensions is 1234.

201 is defined as the captain line and is the only line that can receive calls. The XGate Phone app comes configured for use with extension 201. If more than one user is expected to use the system then each user should be assigned a different extension.

Extension, passwords, and ring groups can be defined in Auroras's web admin UI under Services > PBX.

If using an Analog phone adapter with Aurora (sold separately), the phone adapter will assign line 1 (the Captain line) to extension 201 and line 2 (if using a dual phone adapter) to extension 202.

Users using the XGate Phone app in addition to analog adapters need to change the settings in XGate Phone or other SIP client to change the SIP extensions to something other than 201 and 202 (since those two extensions will automatically be assigned to the analog adapters and will cause conflicts if the SIP clients try to use those same extensions).

Voice With Analog Phone

Aurora will also work with one or two analog phones by using an Aurora analog phone adapter (sold separately).

1-Port Analog Adapter

This adapter provides an interface between the Aurora unit and one analog telephone to allow you to make phone calls over satellite with a standard telephone. This adapter is powered by a 12V adapter. This adapter is sold separately. Please contact your satellite dealer for more information.

2-Port Analog Adapter

This adapter provides an interface between the Aurora unit and two analog telephones to allow you to set up a PBX system with multiple analog telephones. This adapter is powered by a 5V adapter. This adapter is sold separately. Please contact your satellite dealer for more information.

Both analog adapters can work in conjunction with smartphone use. Care needs to be taken, however, in assigning the appropriate extensions to each device so that they don't conflict.

GPS Tracking

Aurora works as a tracking device with the industry-leading RedPort Tracking service. Aurora provides tracking data using the integrated GPS chip built directly into the satellite terminals.

Aurora works with the Iridium network and offers tracking. Tracking service with Aurora is a premium service with a monthly fee. If you don't have tracking enabled, please contact your service provider for more information.

Aurora can also send position reports via SMS.

XGate Satellite Email Service

XGate is the world's leading independent satellite email, web and weather service. Aurora blocks all data traffic from going over your satellite connection except XGate-compressed email, web and weather data.

XGate is available for several Operating System platforms. You will find links for all versions here:

<http://www.redportglobal.com/support/xgate-downloads>

We recommend that you register your service before installing the software. XGate must be registered in order to receive a valid username and password. You can register here:

http://www.globalmarinenet.com/xgate_registration_voucher.php

Online registration is required for new users that have only an iOS and/or Android device. Computer users are welcome to register online as well; or, you can register from within the software (see the XGate Help File > Register for Service for details).

During registration you must enter a Preferred User Id. This Id will become part of your new satellite email address. It is important to enter a valid email address for the Contact Email as this will become the email address of record on your account that is used for all official notices.

When you have successfully registered the account, open XGate and enter the account information in the Settings window. To find the Settings window:

On Windows PC: go to Options > Settings

On MAC: go to Preferences

On iOS device: go to Settings

On Android device: go to Settings

Configure XGate To Work with Aurora

Open XGate Settings and select the Connection Type "webxacc Iridium Direct Internet".

Test Your Configuration

1. Power ON the Aurora.
2. From your computer, tablet, etc. connect to the wireless network created by the Aurora. The name of the wireless network will be something like wxa-171-xxxx.
3. Open XGate and click the <Start> button.
4. You can see the progress of the connection in the XGate Log window.

Troubleshooting

If your connection attempt was not successful please refer to the XGate Help File for more detailed information and adjust your configuration accordingly.

If you are still unable to connect using your satellite phone, please answer these questions:

1. Which OS are you using? (Windows, Mac, Linux, Apple iOS, Google Android, etc)
2. Where are you located in world? What environment are you in? (Rural, city, marina, open-sea, etc).
3. What is your XGate username?
4. What version of XGate are you using?
5. What is the error message that appears in the session log? To expedite your support request, please submit of copy of the entire transaction log.

Please note that you're using Aurora and submit your answers in an email to your satellite dealer.

©2016 All Rights Reserved. Aurora, XGate, and RedPort and Marks of Global Marine Networks, LLC.

www.redportglobal.com

